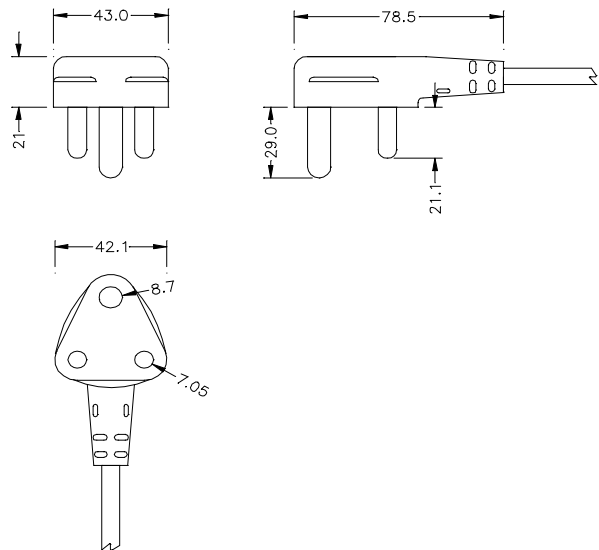
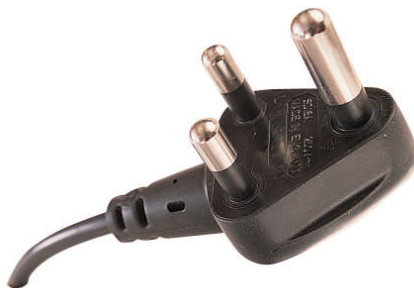


C 10
3 Pole 250V 15A
Non Rewireable Moulded Plug
South African
Approved by KEMA CB Certificate NL-9053



General Description

The pins are integrally moulded into thermoplastic glass filled polyester

The insert is over moulded with resilient flame retardant PVC

All cordsets are 100% electrically tested

Approved by the following European authorities for the following cables

KEMA	
2x0.5mm ² HO3VV-F	✓
3x0.75mm ² H05RN-F	✓
3x1.50mm ² HO5VV-F	✓

The Company is approved to ISO 9001: 2000 Certificate No. FM 00928