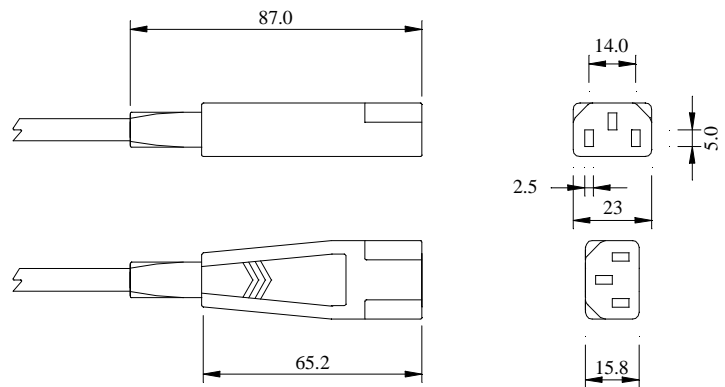


C 11
3 Pole 250V 10A Class-1
Cold Condition (70°C) Connector
To BS EN 60320-1:2001
Licence KM 07088
Standard Sheet C13



General Description

The connector is of shell construction moulded from flame retardant nylon and incorporating a PVC flexible grommet.

Internally, the socket contacts are manufactured from Phosphor bronze reducing the insertion and withdrawal forces whilst maintaining good electrical contact.

All cordsets are 100% electrically tested.

Approved by the following authorities for the following cables

Cable Type (Certificates Held)	CB	Kema	Semko	Nemko	VDE	Demko	FI	BSI	SAI
3x0.75 HO5VV-F	✓	✓		✓		✓	✓	✓	✓
3x1.00 HO5VV-F	✓	✓	✓	✓	✓	✓	✓	✓	✓
3x0.75 HO5RR-F					✓			✓	
3x1.00 HO5RR-F	✓	✓	✓	✓	✓	✓	✓	✓	✓

The Company is approved to ISO 9001: 2000 Certificate No. FM 00928

