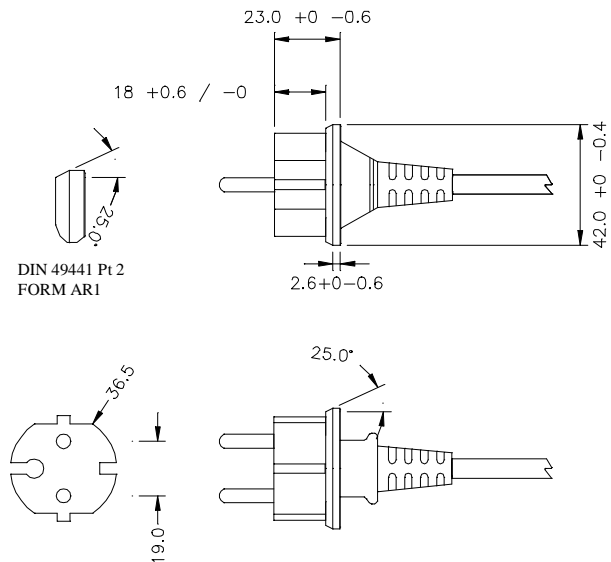
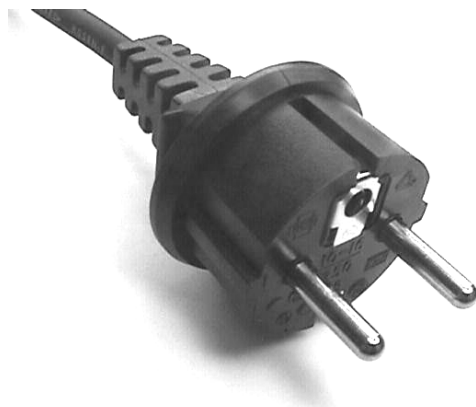


**C 15**  
**2 Pole and Earth 250V 16A**  
**With Dual Earth**  
**Non Rewireable Moulded Plug**  
**To IEC 60884-1:2002**  
**To CEE-7 Standard Sheet VII**  
**Degree of Protection IP44**  
**Licence No. 2071841.01**  
**CB Certificate NL-7622**



**General Description**

The pins are integrally moulded into thermoplastic glass filled polyester

The insert is over moulded with resilient flame retardant PVC

All cordsets are 100% electrically tested

Approved by the following European authorities for the following cables

| Approved Cables | Kema |
|-----------------|------|
| 3x0.75 HO5VV-F  | ✓    |
| 3x1.00 HO5VV-F  | ✓    |
| 3x1.50 HO5VV-F  | ✓    |
| 3x0.75 HO5RN-F  | ✓    |
| 3x1.00 HO5RR-F  | ✓    |

The Company is approved to ISO 9001: 2000 Certificate No. FM 00928