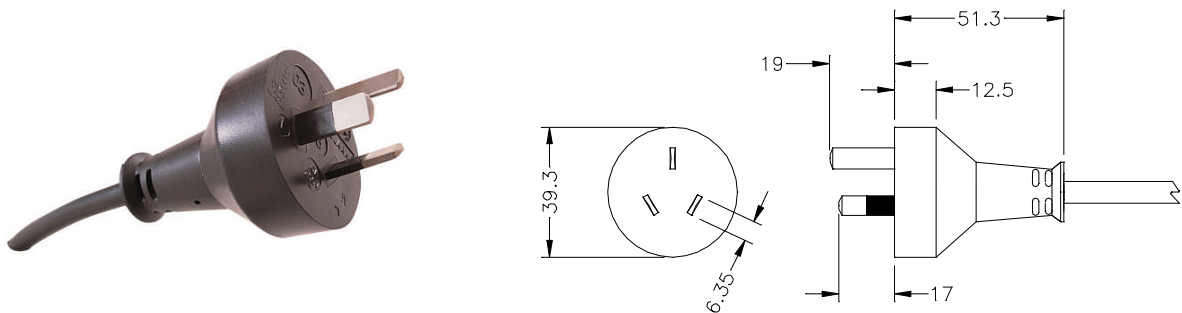


C 3
3 Pole 250V 10A
Non Rewireable Australian & New Zealand Plug
To AS/NZS 3112 (2000)
Licence No. SMK 02011



General Description

The pins are integrally moulded into a thermoplastic glass filled polyester insert

The insert is over moulded with a resilient flame retardant PVC

All cordsets are 100% electrically tested

Approved by the following authorities with the following cables

Australian – SAI Global	
0.75mm	H05VVF 3
0.75mm	H05RNF 3
1.00mm	H05VVF 3
1.00mm	H05RNF 3
1.00mm	H05RRF 3
1.00mm	H07RNF 3
1.50mm	H05VVF 3
1.50mm	H05V2V2F 3
0.75mm	H05VVF 2
1.00mm	H05VVF 2

The Company is approved to ISO 9001: 2000 Certificate No. FM 00928