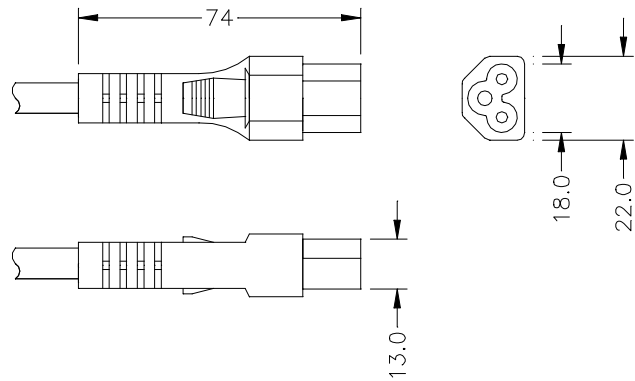


## C 31

### 3 Pole 250V 2.5A (Class 1) Moulded Connector To: EN 60 320-1:1996 + Standard Sheet C5



#### General Description

The Inner insert is over moulded with a flame retardant PVC

All cordsets are 100% electrically tested

Approved by the following authorities for the following cables

	Semko	Nemko	VDE	Demko	FI
3x0.75 HO5VV-F	✓	✓	✓	✓	✓

The Company is approved to ISO 9001: 2000 Certificate No. FM 00928